

WLS2407C



Color 2.4 GHz Baby Camera

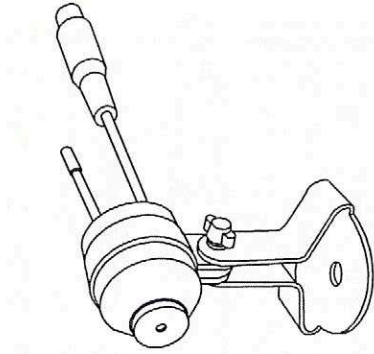
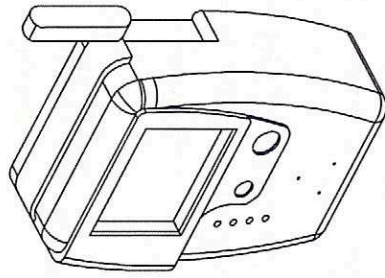
- 330 Lines of Resolution Color CMOS
- 3 Lux @ F1.8 & 46dB S/N Ratio
- 4 Channel 2.4GHz 300' Range
- Receiver/Monitor Can be Battery Powered
- Monitor Runs on 4 AA Alkaline Batteries
- Camera Includes Mounting Bracket

Keep an eye and ear on your most precious asset, your child or grandparent. The WLS2407C is very easy to install & receives video/audio from up to 300' away. The camera/transmitter has 4 user selectable channels, a sturdy base/mount, and antenna. The handheld monitor/receiver can be powered by either internal batteries or with the included power adapters.

Note: 2.4 GHz frequency is used by cordless phones and wireless WiFi network. If you use any of these devices, you may experience distortion and shorter range.

Wireless 2.5" Color TFT LCD Monitoring System with Coin-Size Camera

- Portable 2.5" Color TFT LCD with Receiver
- Pinhole Camera with Antenna and Built-in Microphone



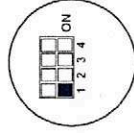
Specifications

MONITOR:	
SCREEN SIZE	2.5" TFT LCD
DOT PITCH	0.1025 x 0.163mm
RESOLUTION	480 x 234
AUDIO OUTPUT	600 ohms / 1V p-p
POWER SUPPLY	5V DC, 1A
Active Area	49.2 x 38.142 mm
OPERATING TEMP.	32°F - 122°F 0°C - 50°C
Screen Size	2.45 Diagonal Inch
BATTERY	4 "AA" Size Batteries (Last for 45 minutes, Batteries Not Included)

CAMERA:	
IMAGE SENSOR	1/3" Color CMOS Image Sensor
RESOLUTION	300 Horizontal TV Lines
LENS	6mm
POWER SUPPLY	9V DC, 200mA
OPERATING TEMP.	32°F - 122°F 0°C - 50°C
DIMENSIONS	Approx. 1" x 1" x 1.1" 2.6 x 2.6 x 2.7cm (LxWxH)
WEIGHT	Approx. 0.2LB/40g

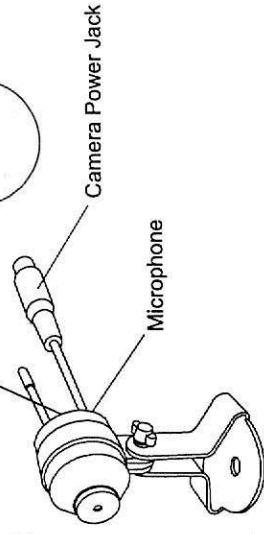
Parts Included with This System

- 2.4GHz Color Camera
- 9V AC/DC Adapter for the Camera
- 2.5" Color TFT LCD Monitor with Built-in 2.4 GHz Receiver
- 5V AC/DC Adapter for the Monitor
- AV Cable
- Battery Connector for Camera

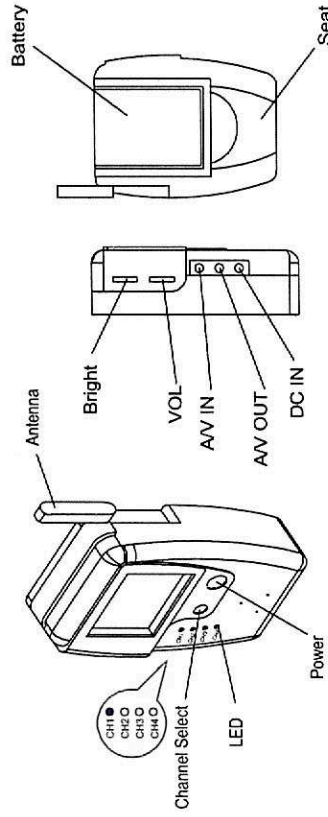


Parts of the System

Parts of the Camera



Parts of the Monitor



Installing the Wireless 2.5" Color TFT LCD Monitoring System with Coin-size Camera

When installing the camera, check the reception of the monitor before final installation. Have someone to hold the camera in the area to be monitored. Have another person move the monitor to a variety of locations throughout the house to check reception.

Monitor to A/V Function

The monitor has audio/video outputs which can be used to transfer the picture and sound from the monitor screen to a TV screen. Connect the AV outputs to the AV input on a TV set for a large screen display, or connect the AV outputs to the AV inputs on a VCR to record transmissions from the camera.